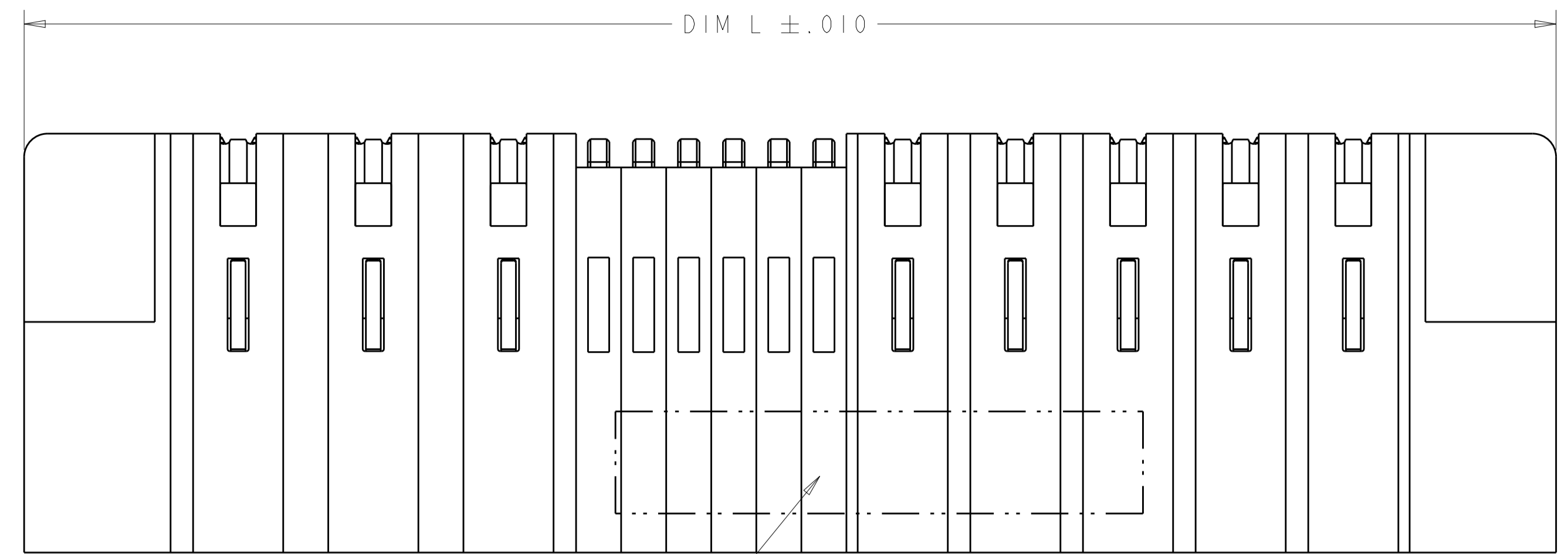
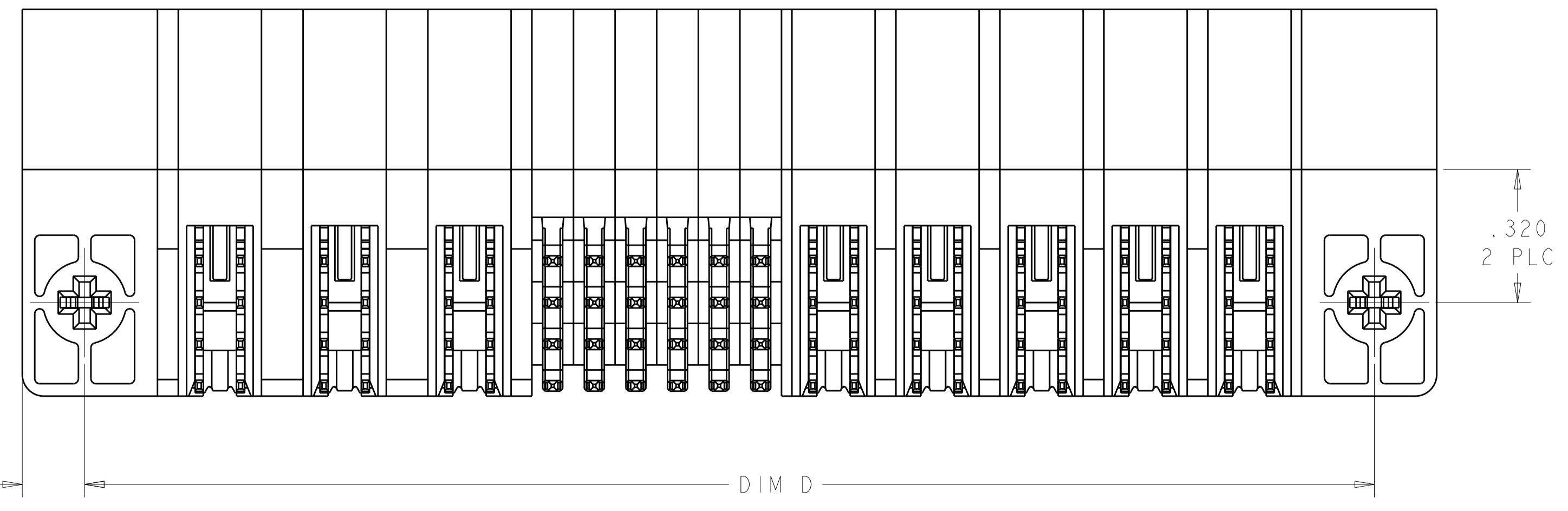
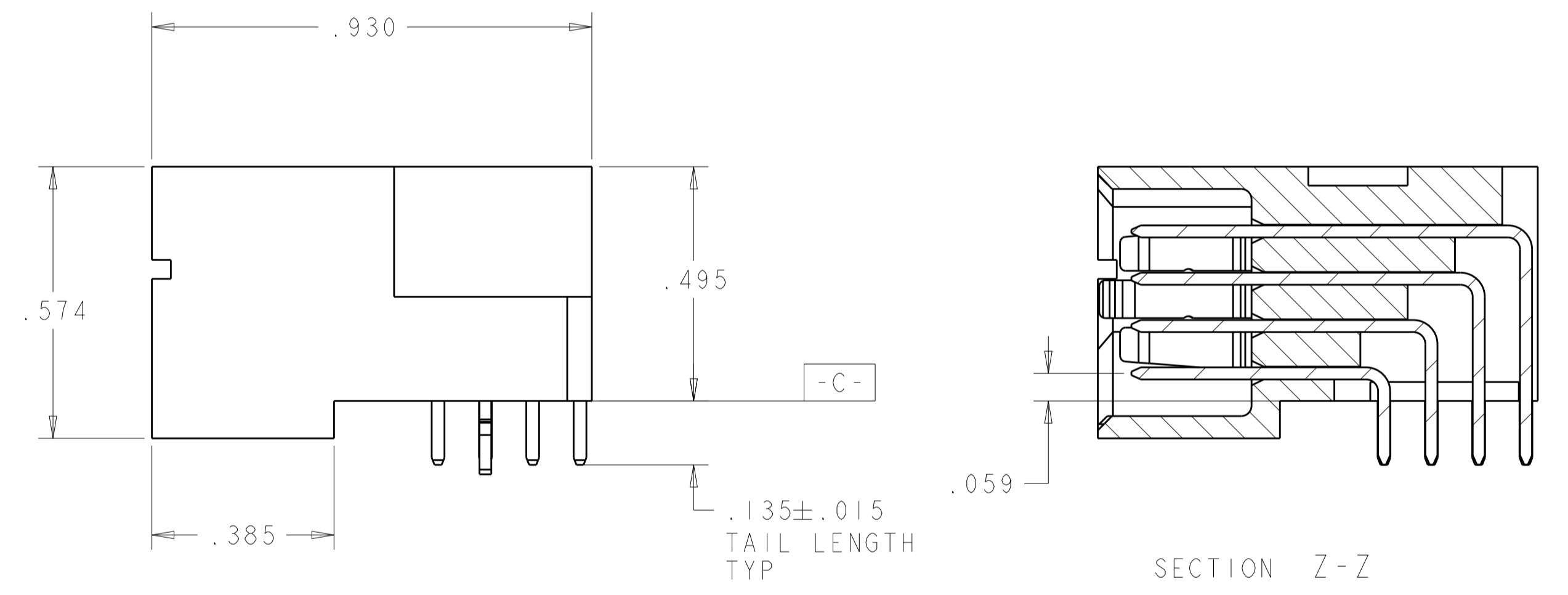
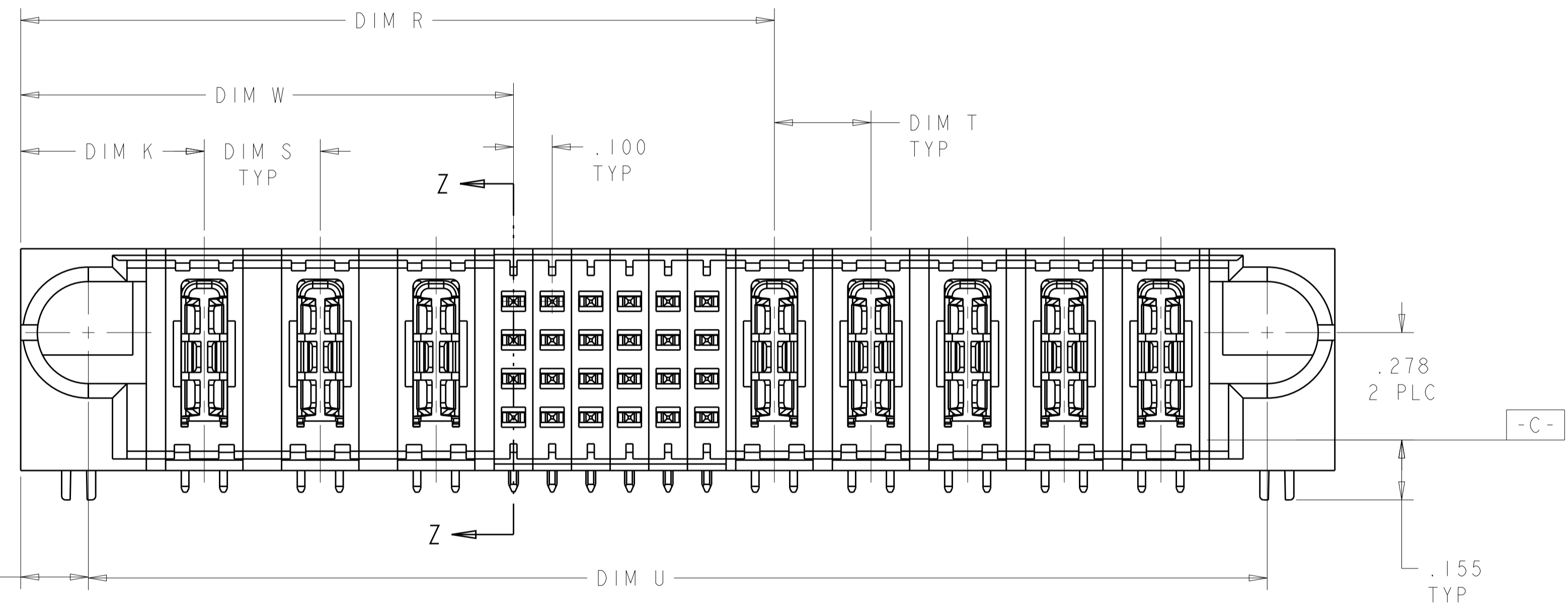


LOC	DIST	REVISIONS					
		P	LTN	DESCRIPTION	DATE	DMN	APVD
ES	00	B2		ADVISED	20MAR2013	ML	SZ



- ① "AMP", PART NUMBER, AND DATECODE TO BE MARKED IN AREA SHOWN. PARTS UNDER 2.00 LONG MAY BE MARKED ON BOTH SIDES.
- ② MATERIAL: HOUSING - GLASS FILLED HIGH TEMP THERMO PLASTIC, UL94 V-0
SIGNAL CONTACT - HIGH CONDUCTIVITY COPPER ALLOY
POWER CONTACT - HIGH CONDUCTIVITY COPPER ALLOY
- ③ CONTACT PLATING: NOBLE METAL PLATING ON CONTACT FUNCTIONAL AREA OF POWER AND SIGNAL CONTACTS
- ④ MECHANICAL CONNECTOR KEEP OUT ZONE.
- ⑤ DATUM AND BASIC DIMENSIONS ESTABLISHED BY CUSTOMER.
- ⑥ PCB - HOLE DIAMETERS ARE FINISHED HOLE SIZE.
- ⑦ PCB - .0453±.0010 DRILLED HOLES PLATED WITH .0003 MIN Sn OVER .001 TO .003 Cu PLATING TO ACHIEVE A .040 DIA HOLE.



1.900	.250	.250	1.550	.875	1.950	2.250	.450	2P + 24S + 2P	1892200-4
1.900	.250	.250	1.550	.875	1.950	2.250	.450	2P + 24S + 2P	1892200-3
1.900	.250	.250	1.550	.875	1.950	2.250	.450	2P + 24S + 2P	1892200-2
3.050	.300	.250	1.950	1.275	3.100	3.400	.475	3ACP + 24S + 5P	1892200-1
U	S	T	R	W	D	L	K	DESCRIPTION	PART NUMBER

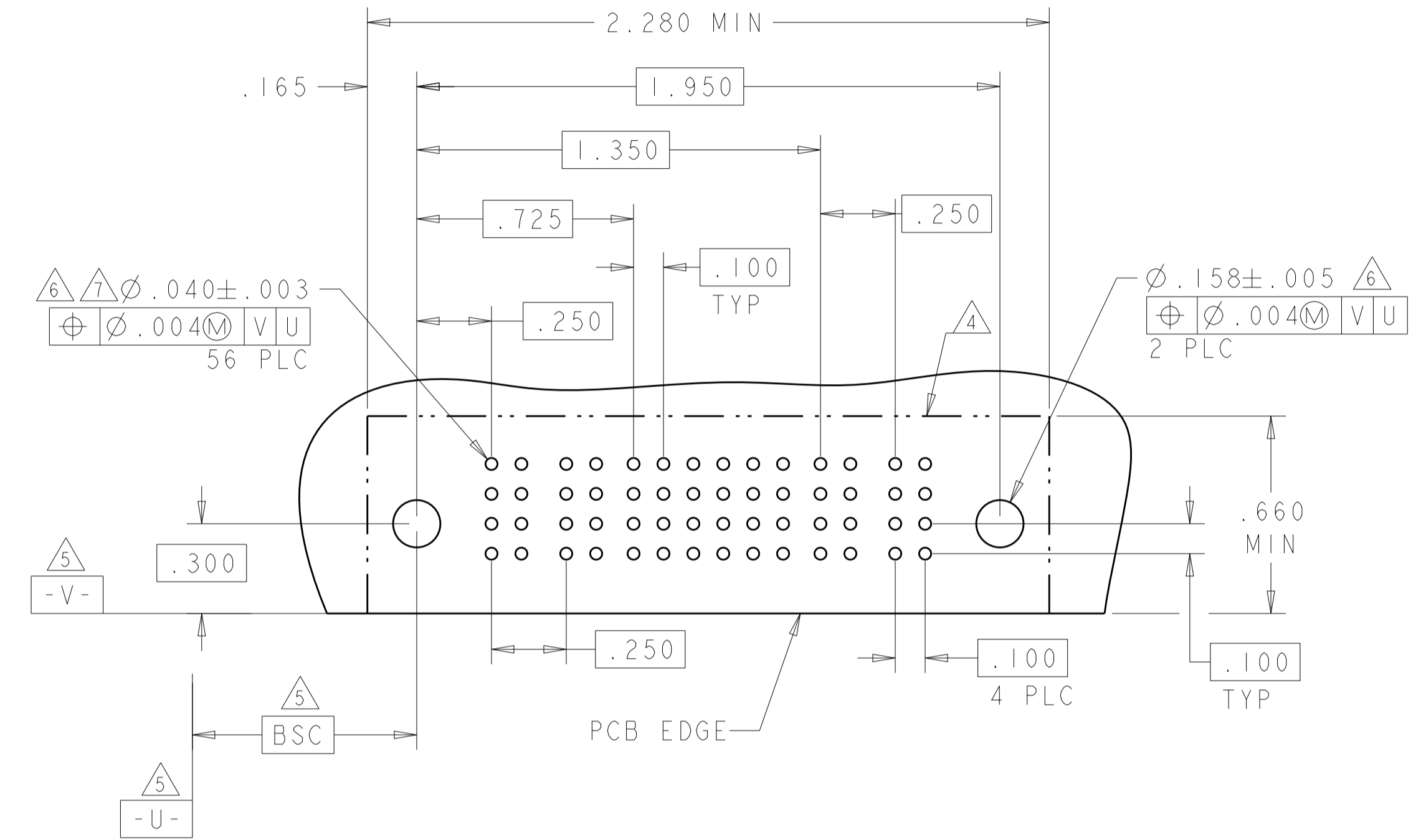
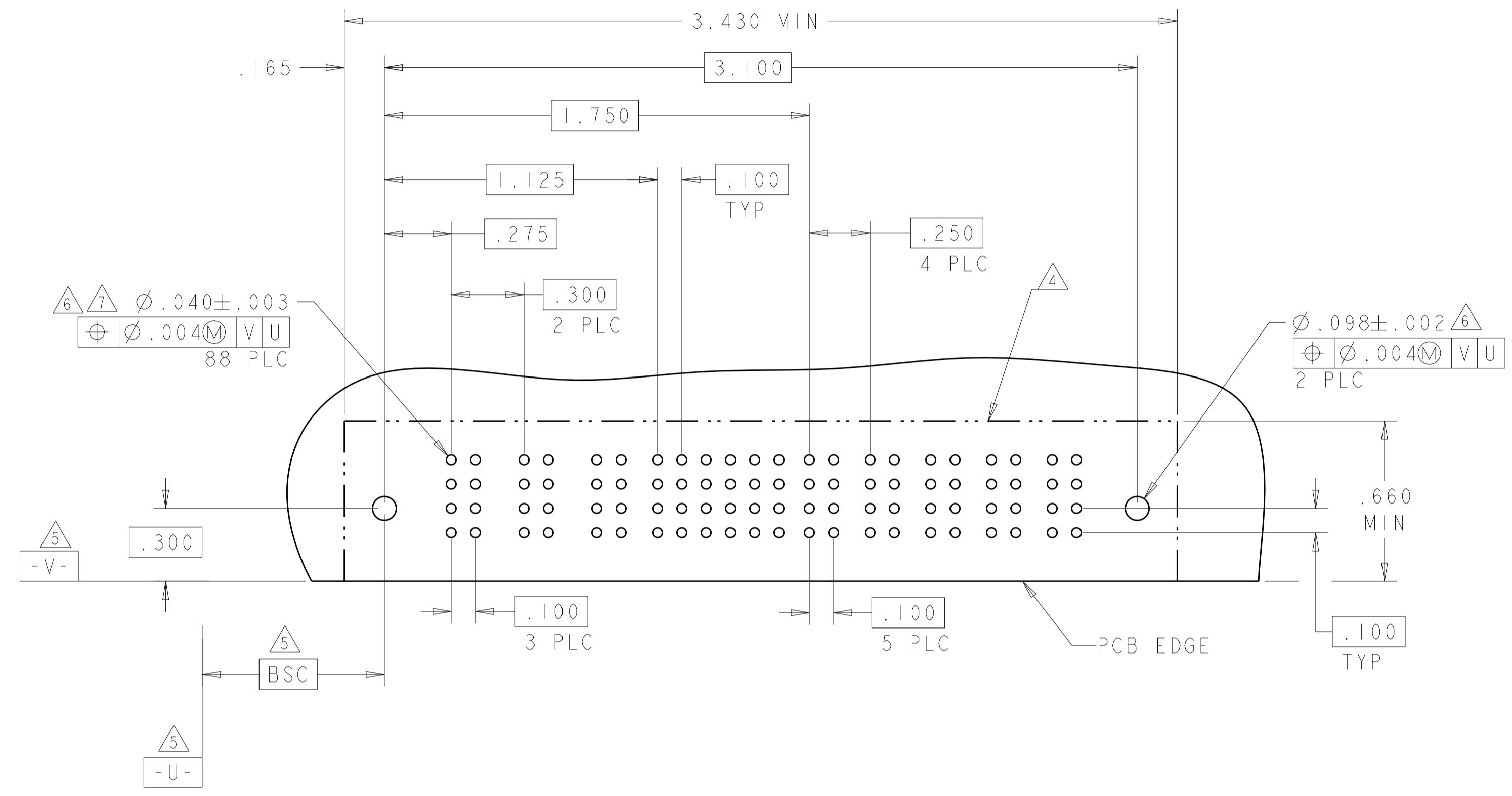
THIS DRAWING IS A CONTROLLED DOCUMENT.

DIMENSIONS: INCHES	TOLERANCES UNLESS OTHERWISE SPECIFIED: 0 PLC ±. 2 PLC ±.01 3 PLC ±.0050 4 PLC ±.0020 ANGLES ±.0020	DMN C. ZHOU CHK S. ZHAO APVD S. YAO	26MAY2007 26MAY2007	 TE Connectivity	
MATERIAL	FINISH	NAME S. YAO	PRODUCT SPEC 108-1973 APPLICATION SPEC 114-13038		
CUSTOMER DRAWING		SIZE A1	CAGE CODE 00779	DRAWING NO 1892200	RESTRICTED TO
SCALE 4:1		SHEET 1 OF 2		REV B2	

LOC	DIST	REVISIONS					
ES	00	P	LTN	DESCRIPTION	DATE	DWN	APVD
		-		SEE SHEET 1			

PART NUMBER	ROWS	POWER			SIGNAL						POWER								
		P1	P2	P3	1	2	3	4	5	6	P4	P5	P6	P7	P8				
1892200-1	D C B A	TM	TM	TM	J	J	J	J	F	J	J	J	J	J	J	TM	TM	TM	TM
					K	K	F	K	K	K	K	K	K	K	K				
					N	N	N	N	G	N	N	N	N	N	N				
					S	S	H	S	S	S	S	S	S	S					
3ACP + 24S + 5P																			

PART NUMBER	ROWS	POWER		SIGNAL						POWER					
		P1	P2	1	2	3	4	5	6	P3	P4				
1892200-2	D C B A	TM	TM	J	J	J	J	J	J	J	J	J	J	TM	TM
				K	K	K	K	K	K	K	K	K	K		
				N	N	N	N	N	N	N	N	N	N		
				S	S	H	S	S	S	S	S	S	S		
2P + 24S + 2P															



PART NUMBER	ROWS	POWER			SIGNAL						POWER				
		P1	P2	P3	1	2	3	4	5	6	P3	P4			
1892200-3	D C B A	TM	TM		J	J	J	J	J	J	J	J	J	TM	TM
					K	K	K	K	K	K	K	K	K		
					N	N	N	N	N	N	N	N	N		
					S	H	S	S	S	S	S	S	S		
2P + 24S + 2P															

PART NUMBER	ROWS	POWER		SIGNAL						POWER					
		P1	P2	1	2	3	4	5	6	P3	P4				
1892200-4	D C B A	TM	TM	J	J	J	J	J	J	J	J	J	TM	TM	
				K	K	K	K	K	K	K	K	K			
				N	N	N	G	N	N	N	N	N			
				S	S	S	S	S	S	S	S	S			
2P + 24S + 2P															

1892200-4 PCB LATOUT IS THE SAME AS 1892200-2

1892200-3 PCB LATOUT IS THE SAME AS 1892200-2

E	SIGNAL CONTACT,MLBF	D
F	SIGNAL CONTACT,MLBF	C
G	SIGNAL CONTACT,MLBF	B
H	SIGNAL CONTACT,MLBF	A
J	SIGNAL CONTACT,STD	D
K	SIGNAL CONTACT,STD	C
N	SIGNAL CONTACT,STD	B
S	SIGNAL CONTACT,STD	A
TM	POWER CONTACT (THREE BEAM)	-
CODE	MATING SEQUENCE	ROW
CONTACT		

THIS DRAWING IS A CONTROLLED DOCUMENT.

DIMENSIONS: INCHES	TOLERANCES UNLESS OTHERWISE SPECIFIED: 0 PLC ±. 1 PLC ±.01 2 PLC ±.01 3 PLC ±.0050 4 PLC ±.0020 ANGLES ±.2°	DWN C. ZHOU CHK S. ZHAO APVD S. YAO	26MAY2007 26MAY2007	NAME S. YAO	DATE
MATERIAL	FINISH	PRODUCT SPEC 108-1973	APPLICATION SPEC 114-13038	SIZE A100779	RESTRICTED TO
CUSTOMER DRAWING		SCALE 4:1		SHEET 2 OF 2	

STE TE Connectivity

RIGHT ANGLE HEADER ASSEMBLY
MULTI-BEAM XL (THREE BEAM)

A100779C=1892200

REV B2